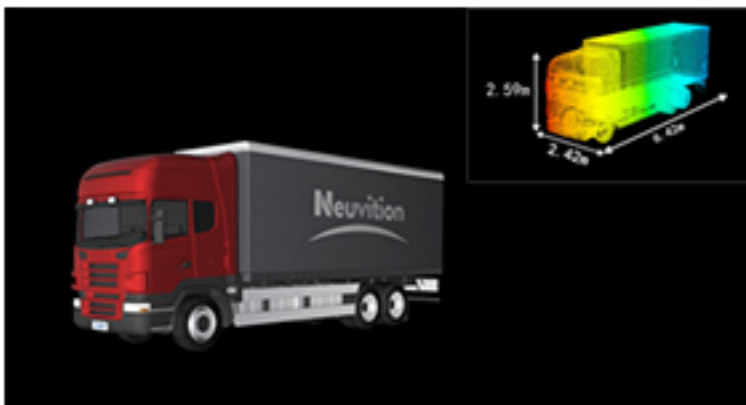


Titan M1-A SOLID-STATE HIGH RESOLUTION LIDAR

Titan M1-A LiDAR has an ultra-high resolution of 700 lines, 1750 pixels per line, and measurement accuracy of $\pm 5\text{mm}$. It is especially suitable for indoor modeling, precise positioning, overhead lines detection, powerline inspection, etc.



Application



3D Modeling

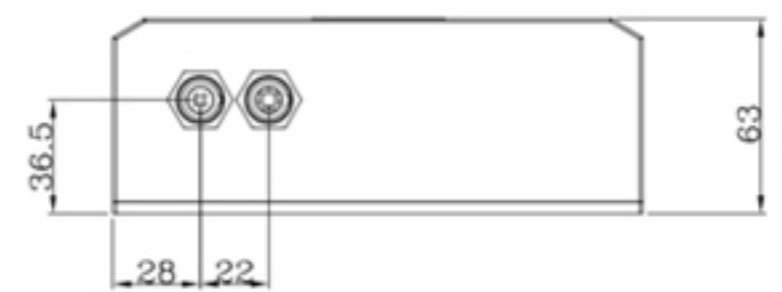
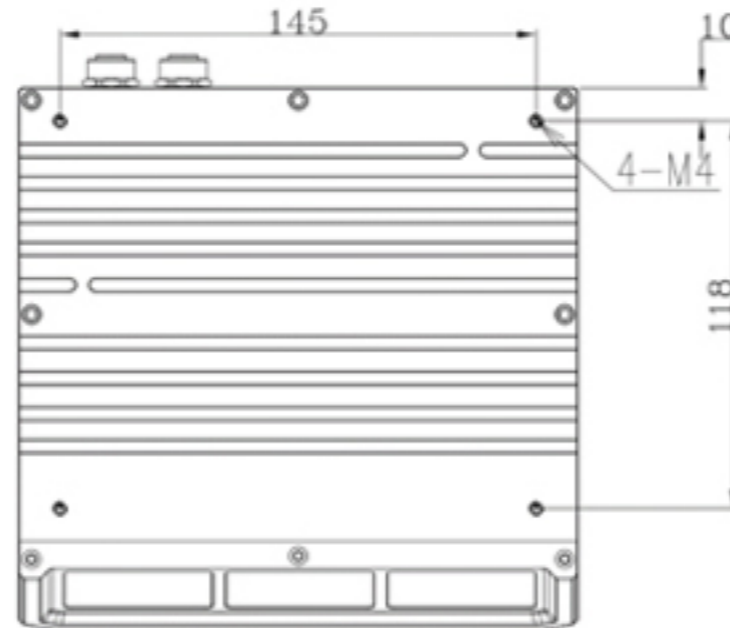
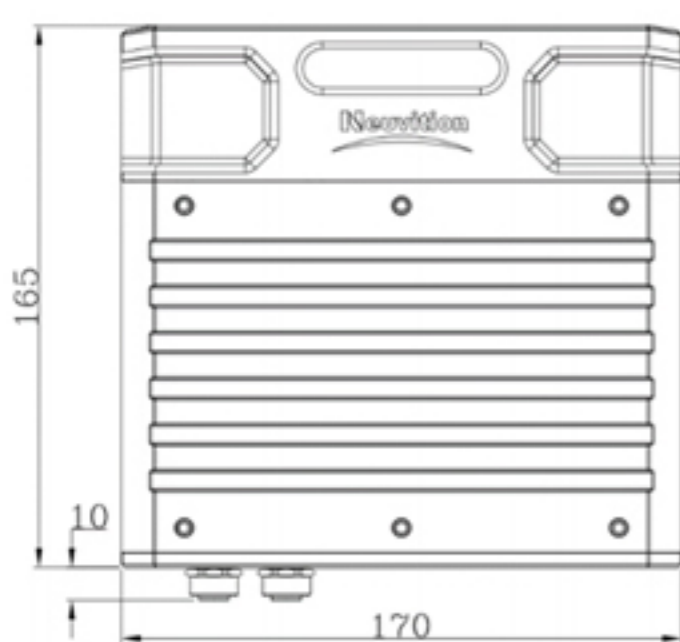


Overhead Lines/Powerline Detection



Smart Transportation

Product Size



Specifications

Sensor Parameters		
Model	Titan M1-A	Titan M1-ASL
Method	ToF Measurement of Distance	
Distance	Up to 60m @ 20% Reflectance, 1m Min., Precision: ± 5 mm Typical	Up to 50m
Return Mode	Multiple Returns	
Resolution	H1750, V700	H1750
Field of View	H45°, V 25°	H42°
Angular Resolution	H0.03°, V0.04°	H0.024°
Frame Rate	1fps ~ 20fps	
Sampling Rate	1,500,000 Points/s (Max.)	

Laser Source	
Wavelength	1550nm
Laser Product Classification	Class 1 Eye-safe
Dynamic Adjustment	Variable Density Scanning

Camera	
Pixels	2M
Video Resolution	1920 x 1080 (1080p Typical)
Frame Rate	20fps

Others	
Weight	1.65kg
Dimensions	170mm x 63mm x 165mm
Operating Temperature	-20°C ~ +65°C
Power Consumption	25W (Typical)
Operating Voltage	9-60V
API Interface	4-pin, M12 x 1 connector, A-Coded (power interface) 8-pin, M12 x 1 connector, A-Coded (Gigabit Ethernet interface)
IMU	Optional
Output	SDK Provided to Directly Output Data in PCL Structure
Protection Level	IP67

*Specifications are subject to change without notice. V3.4